

Common Design Considerations

Depth & Invert Level Dimensions

The three installation scenarios illustrate the *minimum* depths from finished floor level (FFL) to the invert level (IL) of the fitting outlet.

A minimum 50mm cover has been allowed between the P-Trap & FFL in each instance.

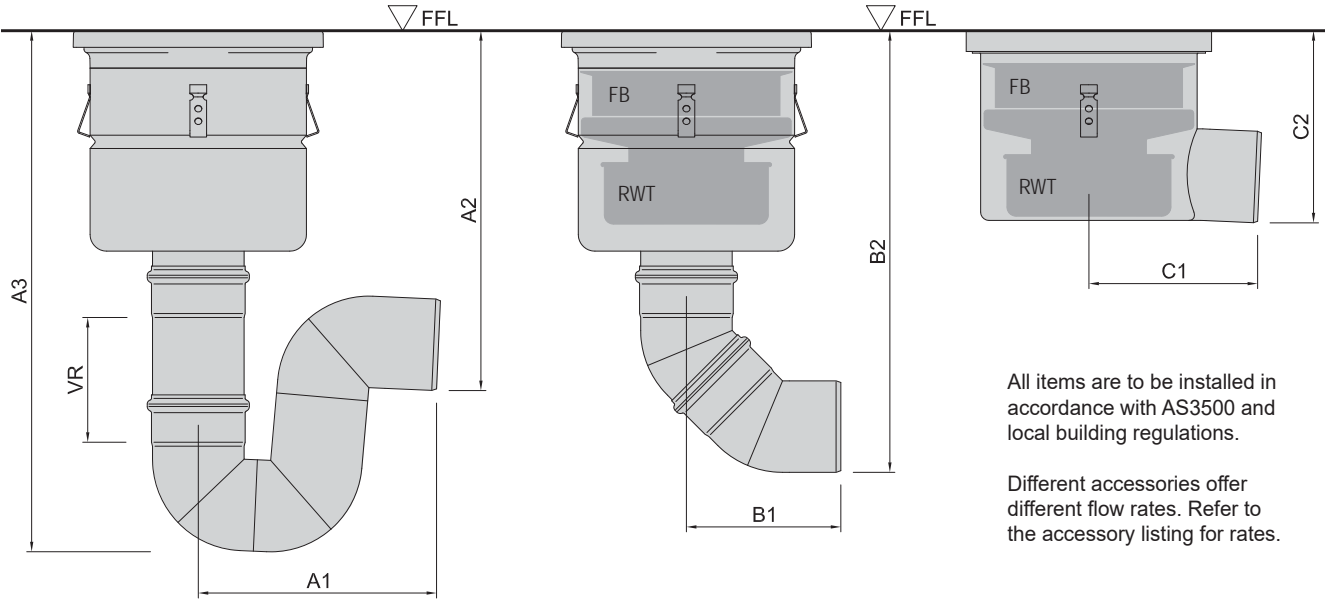
All accessories sold separately.

Specific accessory information from page 9.

A Scenario A:
Industrial Drain with P-Trap
Vertical Riser (VR) shown & required for some drain models.

B Scenario B:
Industrial Drain with 2x 45 Bends
Normally used with a Removable Water Trap (eg no P-Trap).

C Scenario C:
Industrial Drain with H-Outlet
Horizontal Outlet must use a Filter Basket & Removable Water Trap.



All items are to be installed in accordance with AS3500 and local building regulations.

Different accessories offer different flow rates. Refer to the accessory listing for rates.

Drain Bowl Product No	Outlet Direction	H-Offset A1	VR Length	Outlet IL A2	Depth O/A A3	H-Offset B1	Outlet IL B2	H-Offset C1	Outlet IL C2
760.402.110S	V	287	-	232	426	186	485	-	-
760.402.160S	V	385	250	308	566	264	476	-	-
763.402.110S	H	-	-	-	-	-	-	155	222
766.402.110S	V	287	-	182	376	186	435	-	-
710.402.000S	V	287	150	200	395	186	304	-	-
760.502.110S	V	287	-	223	417	186	476	-	-
760.502.160S	V	385	250	300	558	264	467	-	-
763.502.110S	H	-	-	-	-	-	-	157	212
766.502.110S	V	287	-	182	376	186	435	-	-
710.502.000S	V	287	150	201	395	186	304	-	-
760.403.110S	V	287	150	428	622	186	531	-	-
760.403.160S	V	385	250	460	718	264	628	-	-
763.403.110S	H	-	-	-	-	-	-	205	248
766.403.110S	V	287	150	371	565	186	474	-	-
710.403.000S	V	385	250	315	574	264	483	-	-
760.503.110S	V	287	150	414	608	186	517	-	-
760.503.160S	V	385	250	446	704	264	614	-	-
763.503.110S	H	-	-	-	-	-	-	205	231
766.503.110S	V	287	150	366	560	186	469	-	-
710.503.000S	V	385	250	310	569	264	478	-	-
760.602.110S	V	287	-	227	421	186	480	-	-
760.602.160S	V	385	250	303	562	264	470	-	-
760.603.110S	V	287	150	423	617	186	526	-	-