

Installing EuroPipe Drainage

The following information is only a guide. For specific installation assistance, please contact us first!

All work must comply with AS/NZ 3500 and any other relevant standards applicable to the installation.

Installing EuroPipe Drainage System

The Blucher EuroPipe drainage system relies on a socket and spigot join with a rubber ring seal.

As with all work using tools, the following points are to be adhered to and understood, along with the general safety practices such as wearing suitable clothing and equipment, being alert and focused, keeping the work area clean, clear of obstacles and keeping unauthorised persons clear.

If in doubt, please contact us before proceeding with any work.

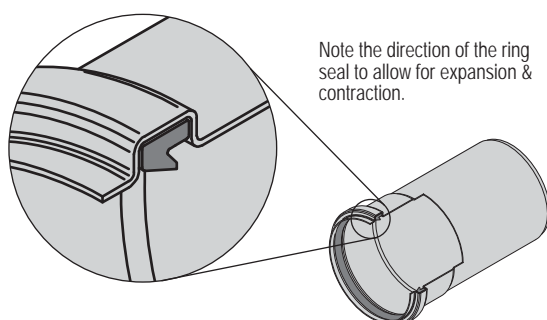
1. Cutting

- Blucher pipe lengths are supplied in standard lengths from 150mm through to 6.0m and may be trimmed using an approved Blucher Electric or Manual Pipe Cutter that creates a bevel on the pipe end and assists fitting. Care should be taken, as cut ends could be sharp.
- Do NOT cut with drop saws or angle grinders. Fittings must not be cut, only the pipe lengths.

2. Ring Seals

- Rubber ring seals are fitted to each socket end with EPDM supplied as standard.
- Check the ring seal is free of foreign matter and the correct type of seal is fitted for the application and temperatures to be used. These can be removed easily for cleaning.
- Ensure the ring seal is fitted correctly with taper facing outward.
- Replace the seal if unsure or incorrect.

| Material | Colour | General Use | Operating Temp |
|----------|--------------------|---------------------|----------------|
| EPDM | Dull Black | General use. | -40° to +100°C |
| FPM | Purple or Green | High temperature. | -25° to +200°C |
| NBR | Black + Yellow Dot | Oil & gas products. | -30° to + 80°C |
| VMQ | Red | High temperature. | -50° to +120°C |



3. Joining

- Apply lubricant to ring seal & outside of spigots.
- Preferred lubricant is "Super Glidex" supplied by Blucher but an approved soap based lubricant can also be used. Grease is not to be used as this may damage sealing rings.
- Push the spigot into the socket fully with a slight turning movement.
- Joint is then pulled back 5mm to 10mm to allow for expansion and contraction.

4. In-Ground Installation

- When Blucher drainage products are being installed in-ground, only grade AISI 316L stainless steel is to be used.
- Bedding and surrounding fill is to be a minimum thickness of 50mm sand.
- Crushed aggregate or fine gravel is NOT to be used. PH of sand is to be neutral and free of chlorides or salts. Request Technical Data Sheet for more information.
- Wrapping of inground drainage is not required for standard applications - contact us if wrapping is required for your installation.

NOTE: Check with us prior to installation if earth is constantly damp, wet or subject to often or occasional high water table levels.

5. Bracketing

- Bracketing is to comply with AS/NZ 3500.
- If a dissimilar bracket metal is used, a protective isolation barrier is to be provided between the stainless steel pipe and bracket.
- Changes of direction on main suspended drainage should be bracketed in both directions as close as possible to bend, to prevent lateral movement.
- Extra bracketing may also be required at socket joints to prevent sagging.

6. Good Practice

- All branches should be 45 degree entry where possible.
- All main horizontal 90 degree direction changes should be made using 2 x 45° bends with a minimum 150mm length between. Minimum and maximum falls as required by AS/NZ 3500 must be adhered to.
- Venting procedures must comply with AS/NZ 3500.

7. Welding

If welding is to be carried out, prior approval must be obtained from Blucher Australia. Purge-welding procedures must be undertaken and all welds are to be pickled and passivated prior to installation and backfilling.

8. Special Applications

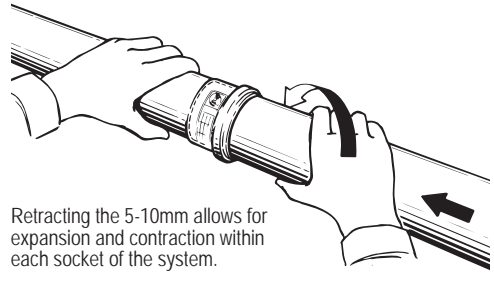
Blucher products can be used for special applications such as ducting, vacuum, siphonic drainage and low pressure pumping applications. Please consult us for technical advice.

Continues...

Installing EuroPipe Drainage (cont)

Expansion & Contraction

Both horizontal (suspended or ground) pipes and vertical runs must be mounted or fixed so that the force arising through heat expansion can neither bend the pipes nor pull the male ends from the sleeves.



Retracting the 5-10mm allows for expansion and contraction within each socket of the system.

Note: Because of the very low coefficient of expansion of Blucher EuroPipe under normal conditions (max. temperature 100°C and length of straight run maximum 40m), as a general rule fixing points and expansion sleeves may be omitted if the piping is a maximum of 5m and the male ends after joining are pulled a further 5 - 10mm from the sleeve.

Suspended Horizontal Installation

| EuroPipe Diameter | Fixing Point Spacing |
|-------------------|----------------------|
| 50 | 2.2m |
| 75 | 2.5m |
| 110 | 2.8m |
| 160 | 3.3m |
| 200 | 3.0m |
| 250 | 3.0m |

The distance between the suspended fixing points must be calculated on the basis of a permissible 1mm bending of the pipe. The bending for a single mounting is calculated for a water-filled pipe.

The tabled distances apply to flat lengths of continuous pipe. At fittings or joins in the suspended drainage, additional fixing points must be so placed that either the branch or the through pipe is held directly behind the sleeve.

If this is not possible, the span between fixing points must be reduced by half or, as an alternative, Joint Clamps can be installed for stability.

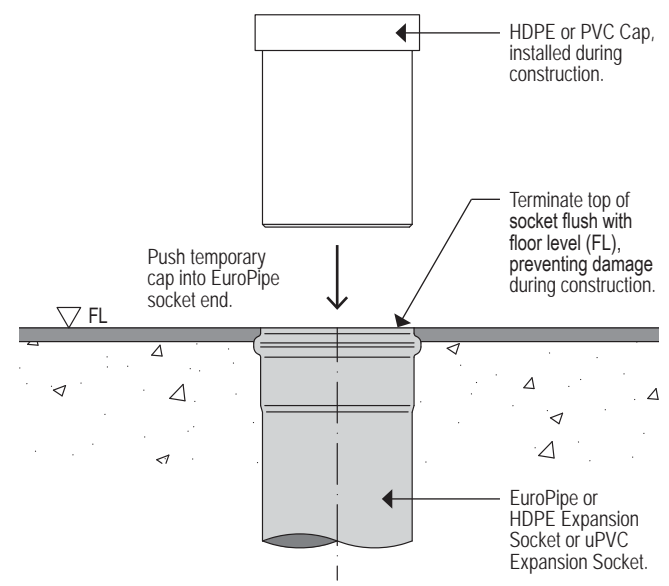
EuroPipe for Vacuum & Siphonic

Blucher EuroPipe has been used for both vacuum (sewer) piping & siphonic (rainwater) installations where traditional gravity systems would have proved difficult.

The material strength of stainless provides a high resistance to implosion and the rigid lengths are lightweight to install. We recommend Joint Clamps are used on each join and bracketing to resist the vibrations at 3m internals maximum or at a change in direction.

We recommended these systems are professionally designed - we have more information on request.

Above Ground Connection (EuroPipe to Floor Level)

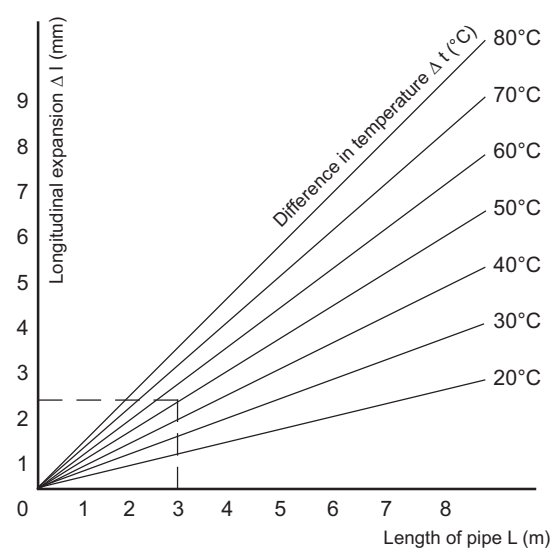


Vertical Piping

One mounting per storey is normally sufficient, but the maximum gap between each mounting should be 3m. Where larger inlets are connected, the downpipe must be secured immediately below the inlet and under each socket.

Longitudinal Expansion Diagrams

The below graphs demonstrate the relationship between pipe length (L) and longitudinal expansion Δl at various temperature differences (Δt .)



Example: A pipe of 3m expands longitudinally by approx. 2.5mm at a temperature difference of 50°C.

Continues...

Installing EuroPipe Drainage (cont)

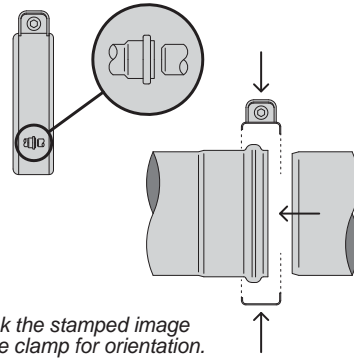
Working with Pressures & Joint Clamps

BLUCHER EuroPipe drainage uses a push-fit socket to join and in most cases, has sufficient strength to prevent the joints from sliding apart when bracketed correctly.

At higher pressures, where a blockage could increase pressures or if bracketing is difficult, a Joint Clamp is required.

Depending on the pressure, different installation methods are outlined below.

Joint Clamps can also be used as bracket fixing points (eg vacuum).



Check the stamped image on the clamp for orientation.

Small lip edge (fit over the socket), Large lip edge (fit over the spigot).

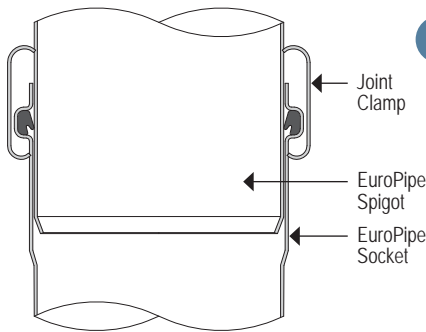
A A push-fit socket and spigot join **without a clamp** is rated for pressures up to +0.5 bar.

Using Socket Plugs as Access Points

In most above ground gravity drainage systems designed for waste water and rainwater, Socket Plugs can be used without Joint Clamps.

After applying lubricant to the Socket Plug, it is up to the installer to determine if a Joint Clamp is required to secure the Socket Plug from being pushed out (eg as a result of an unforeseen blockage, etc) in the system.

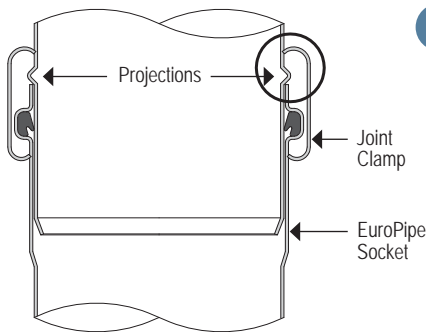
Refer to the product section for more information.



B Push-fit socket and spigot end **without projections**, with a joint clamp tightened can withstand the following pressures:

The joint clamp is fitted with the large lip edge on the exposed socket, the small lip edge fitted over the socket.

| EuroPipe Diameter | Pressure Range |
|-------------------|-------------------|
| 50mm | -0.85 to +2.0 bar |
| 75mm | -0.85 to +2.0 bar |
| 110mm | -0.60 to +2.0 bar |
| 160mm | -0.60 to +1.0 bar |
| 200mm | -0.60 to +0.5 bar |
| 250mm | -0.60 to +0.2 bar |
| 315mm | N/A |



C The spigot is pressed **with a number of projections** (pressed dimples) and then inserted into the push-fit socket.

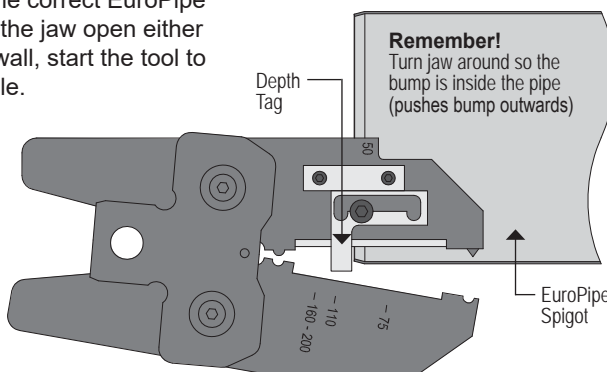
When fitted & tightened, the joint clamp grips against the projections and the join can withstand higher pressures - see table.

| EuroPipe Diameter | Projections/ Spigot | Maximum Pressure |
|-------------------|---------------------|------------------|
| 50mm | 2 | +3.0 bar |
| 75mm | 4 | +3.0 bar |
| 110mm | 6 | +3.0 bar |
| 160mm | 16 | +3.0 bar |
| 200mm | 16 | +2.5 bar |
| 250mm | 16 | +2.0 bar |
| 315mm | - | N/A |

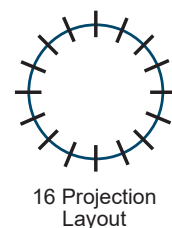
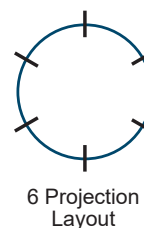
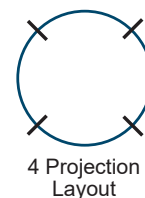
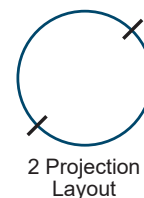
It is important that the joint clamp is completely tightened and positioned over the projection (dimples), as circled in the diagram above.

Set the depth tag on the Dimple Jaw (800.200.001) to the correct EuroPipe diameter and with the jaw open either side of the spigot wall, start the tool to complete the dimple.

Repeat until the required number of dimples are completed.



Projections are to be pressed equally spaced around the diameter of the spigot at the correct depth with the pressing jaw.



Installing Industrial Drains & Channels

Blucher Industrial Drain and Channel products are installed by positioning and fixing the drain bowl or channel base into place first. Then the accessories and grate fit within the drain bowl prior to use.

These instructions are based on common installation situations. If conditions, requirements or situations vary, contact Blucher Australia for advice before installing.

1. Preparation

If the Industrial Drain or Channel is installed in a recess, it should have a minimum 50mm gap on all edges (eg the cutout is 100mm wider overall than the Channel) and 50mm deeper than the outer dimensions.

Remember to allow for the anchor tags and levelling angles in sizing the cutout hole size.

If connecting to Blucher EuroPipe, the outlet spigot will push into the EuroPipe socket connection. For HDPE and PVC, use an expansion socket; for cast iron use an 'Ensign' joining socket.

Generally, outlet dimensions are 110mm or 160mm OD (outside diameter) on Blucher products.

2. Installing

Points are illustrated in the adjacent diagrams.

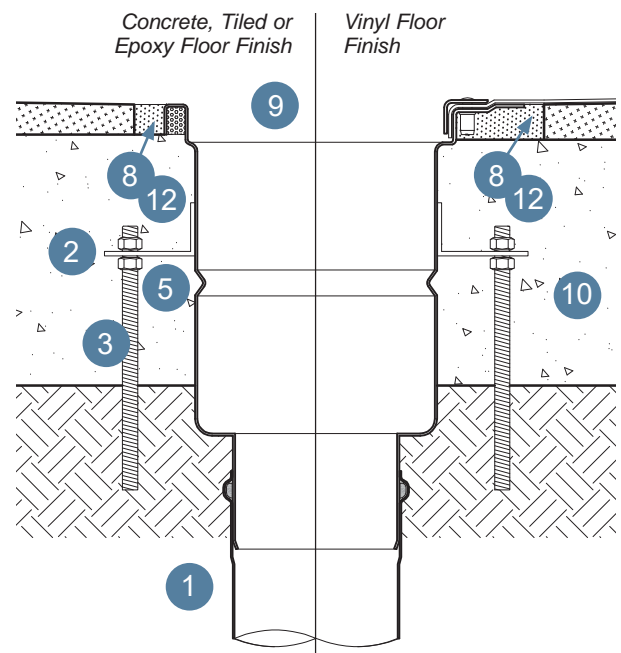
- 1) Ensure drainage piping is set up at correct height to suit depth of floor drain chosen (refer to technical information for measurements).
- 2) Fold out the anchor tags out 90° on the drain bowl or channel.
- 3) Position each levelling up-stand (or threaded rod support cut to length) with 1x nut on each support. Ensure appropriate moisture barriers are used to prevent corrosion as best practice construction, such as under each up-stand.
- 4) Place the drain bowl or channel into position and align with the levelling supports. Long channels with bolted flanges will require this to be completed in sections and with multiple people to prevent the channel from torquing.
- 5) Adjust the under nut on each support under the levelling angle to adjust & level the drain bowl or channel to the correct height. Add a second nut to each support above the levelling angle and tighten.
- 6) Tie anchor tags to steel reinforcement. This will help prevent movement or floating during concreting and earth the drain bowl or channel.
- 7) Confirm the drain bowl is at correct height and is level.
- 8) Install 10mm thick x 20mm deep styrene foam to outside perimeter of the top of the drain bowl.
- 9) Cover the drain bowl opening with plywood to ensure concrete and other foreign matter does not enter during construction.
- 10) Concrete footing is poured.

- 11) After concrete is set, and before final floor finish is applied (eg epoxy coating), remove the styrene foam from around outside perimeter of the drain bowl.
- 12) Fill the gap made by the foam with an approved polyurethane sealant (such as Sikaflex-11FC) as per manufacturer's instructions and ensuring the product installation procedures are adhered to.

Two common methods are used to secure & level the drain bowl or channel when installing:

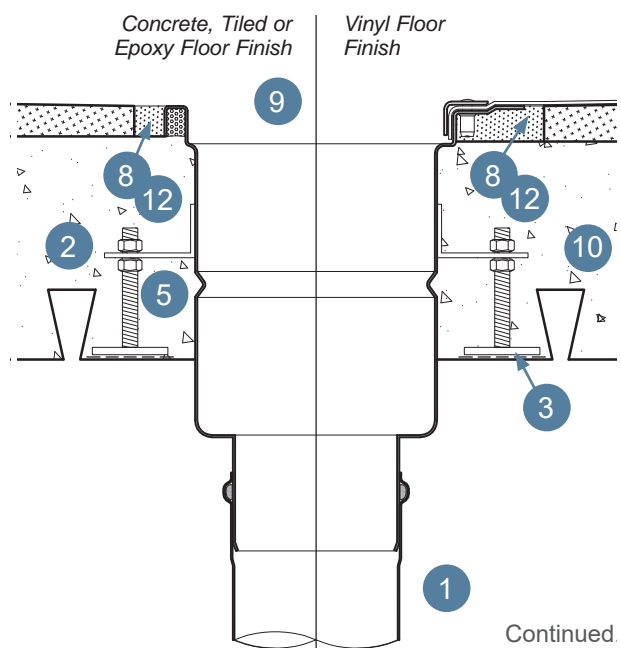
Method A – In Ground

Using the anchor tags and threaded rod.



Method B – Suspended Slab

Using the anchor tags and threaded rod stands.



Continued...

Installing Industrial Drains & Channels (cont)

3. Installing Grates and Accessories

- We recommend installing the grates and accessories as part of commissioning to prevent damage during construction.
- Remove any protective covering only if no damage can occur to the drain bowl before use.
- Fit the grate and accessories within the drain bowl as supplied. If a removable water trap is supplied, the filter basket must be positioned above the removable water trap in the drain bowl.
- Add the supplied lubricant to the ring seal of the Removable Water Trap before fitting to drain bowl.
- Confirm the grating fitted is suitable for the traffic load and application prior to use.

4. Bolted Flange Connections

Channels manufactured with bolted connections are supplied with the fixings and a Viton rubber gasket to assemble and join the channel sections together. Tighten bolts evenly to ensure gasket is not over or under compressed.

5. Special Installation Notes

Site materials can contaminate and damage the surfaces. Ensure the drain bowl and channel are clear of debris and cleaned in the approved method to avoid damage.

It is recommended that channels greater than 2.5m in length or irregular shapes be handled and installed with multiple people. This is to prevent the channel from accidental twisting and being damaged.

6. Flow Rates

Depending on the accessories installed and the drain bowl selected, the flow rates are expected based on 'clean' continuous flow of water, without solids. Flows with solids or contaminated water will experience lesser values.

Use the specified accessory with the lowest flow rate value when making flow calculations.

Corrosion Resistance

Resistance Against Corrosion

316 stainless steel is resistant to corrosion when it is exposed to clean atmosphere (ambient air). The probability of corrosion is increased by contact with corrosion-promoting construction materials or by installation in corrosive atmospheres such as coastal areas or chemical production facilities.

We offer technical advice and have access to metallurgist specialists for water quality & purity testing for specialised or projects with specific needs.

Protection Against External Corrosion

(Exposed or Underground Drainage)

- In areas at risk of corrosion, installation of exposed EuroPipe without corrosion protection should be avoided.
- If there is the risk of corrosive substances (eg. plaster, building materials containing chloride, concrete, high ground water levels, nitrite or ammonium) acting on the drainage over prolonged periods, surface-mounting or suitable corrosion protection is recommended.
- Protection against external corrosion must meet the following requirements:
 - Waterproof.
 - Non-porous.
 - Resistant to heat and ageing.
 - Undamaged.
- The minimum protection against external corrosion is coating, priming or painting.
- Contact Blucher Australia for recommended protection options.

Potable Water

- Corrosion-resistant steels do not react with potable water due to their protective chromium oxide layer. This makes stainless steel corrosion-resistant to potable water.
- Local corrosion effects such as pitting or crevice corrosion can occur in water with unduly high chloride content. This can occur from excessive chlorous disinfectant use or naturally occurring such as in bore water. Therefore, the duration of application and concentration for use must be strictly observed.
- The content of water-soluble chloride ions at ambient temperature in potable water and water which is similar to potable water should not exceed 250 mg/l (250 ppm).
- Corrosion resistance decreases as the temperature increases. Therefore, Blucher Australia must be notified of maximum media temperature and media contents (eg water analysis) to enable a suitability recommendation.

Treated Water

All water treatment methods such as ion exchange or reverse osmosis can be used with grade 316 stainless steel. No additional measures to protect against corrosion are necessary.

Stainless steel is corrosion-resistant to treated water such as:

- Softened/decarbonised water.
- Fully desalinated water (deionised, demineralised, distilled and pure condensates).
- Ultrapure water with a conductivity of < 0.1 µS/cm.

Commissioning & Maintenance

Blucher products require little maintenance. In most environments, little or no maintenance is necessary. This would include wet areas, shower rooms and kitchens.

We recommend installing the grates and accessories as part of commissioning to prevent damage during construction.

Please ensure wash downs or waste types do not contain chemicals that are deemed unsatisfactory on the "Chemical Resistance Table" available from Blucher Australia.

Care is to be taken to prevent scratching to the Blucher EuroPipe, Channel and Industrial Drains. Avoid any contact with, grinding and welding sparks, metal shavings, corrosive chemicals or any material or process which may cause failure during construction and also from future maintenance. Ensure that all drains and accessories are properly "dry" cleaned to remove any foreign products from drain bowls etc, before initial wet clean. A visual inspection is recommended if any rust spots appear caused by these foreign products, please ensure these are removed using a scotch bright cleaning pad only, then thoroughly washed out. This process should also be followed after any maintenance once plant is commissioned.

In especially demanding environments, such as food processors, chemical industries and agriculture, it may be necessary to clean to avoid coating that could lead to corrosion later. Cleaning can be carried out with high-pressure cleaning or high pressure flushing equipment.

If installed in locations effected by coastal conditions, a regular cleaning regime is to be implemented.

Where there is heavy coating, plastic or brass tools can be used. With especially persistent coating, diluted citric acid can be used to loosen the deposit. This must be flushed with large quantities of water afterwards. Cleaning of drains, including the emptying of filter basket, is to be performed at least once every shift and when required.

In cases of difficulty, users should consult us for technical advice.

Disinfecting the System

This is carried out to meet more stringent hygiene requirements, and in the event of severe microbial contamination. Contact us for more information.

To protect the environment and simplify handling, the Australian Drinking Water Guidelines (ADWG) recommend the use of hydrogen peroxide, however chlorine can also be used to disinfect.

Before commissioning the system carefully follow the instructions for use, particularly in relation to the contact time, maximum solution concentration and subsequent flushing requirements.

Note: To reliably prevent corrosion damage, during disinfection do not exceed the maximum chlorine concentration and contact times as tabled below:

- The Australian water regulations allow dosing with up to 1.2mg/l of free chlorine in the disinfectant solution, provided a limit of 0.3mg/l of free (active) chlorine is not exceeded in the drinking water.
- Quantities can be increased to 6mg/l and 0.6mg/l respectively in exceptional circumstances for example, high or increased micro bacterial contamination.

Flushing the System

In the case of stainless steel, the possibility of corrosion promoted by foreign matter such as dirt or swarf can be ruled out. It is therefore sufficient to simply flush the system with potable (drinking) water ensuring the content of water-soluble chloride ions is within approved Blucher Australia limits.

When using any solution, ensure the system is flushed correctly and the manufactures instructions are followed in an accurate and safe manner at all times.

Commissioning

Systems must be commissioned in accordance with the applicable standards and regulations.

The installation contractor must familiarise the user(s) with the system. This is to be documented with a hand-over and acceptance record.

The user must also be provided with the manufacturer's maintenance and operating instructions for all installed valves and equipment.



The following table is to be used as a reference guide only.
 Please contact Blucher Australia for additional technical information and clarification for specific applications or requirements.
 This table is to be read in-conjunction with the Media Chart, available from Blucher Australia.

| STAINLESS STEEL AISI 316L EuroPipe Push-Fit Drainage & Fittings | STAINLESS STEEL AISI 316L Industrial Drain Bowls & Accessories | STAINLESS STEEL AISI 316L Channels |
|---|---|---|
| <p>Applications:</p> <ul style="list-style-type: none"> ▪ Sewer – Black & Grey Waters, ▪ Rising Mains, ▪ Welded Drainage Systems, ▪ High Temperature Drainage (less than 200°C), ▪ Food Processing Areas, ▪ Abattoir Drainage Systems, ▪ Fire Rated Drainage Systems – Ember Vent ▪ Stormwater & Siphonic Systems, ▪ Fuels/ Oils, ▪ Contaminated Wastes – PC3 Labs, ▪ Chemical lines, ▪ Vacuum, Factory & Prisons, ▪ Project Specific Designed Applications ▪ Other applications on request. | <p>Applications:</p> <ul style="list-style-type: none"> ▪ Sewer – Black & Grey Waters, ▪ High Temperature Drainage, ▪ Food Processing Areas, ▪ Abattoir Drainage Systems, ▪ Fire Rated Drainage Systems, ▪ Stormwater & Siphonic Systems, ▪ Fuels/ Oils, ▪ Contaminated Wastes, ▪ Chemical lines, ▪ Project Specific Designed Applications, ▪ Other applications on request. | <p>Applications:</p> <ul style="list-style-type: none"> ▪ Domestic, Commercial & Industrial ▪ Grey Waters, ▪ High Temperature Drainage, ▪ Food Processing Areas, ▪ Abattoir Drainage Systems, ▪ Stormwater Drainage Systems, ▪ Bunted Areas - Fuels/ Oils, ▪ Project Specific Designed Applications, ▪ Other applications on request. |
| <p>Material Description (EuroPipe):</p> <ul style="list-style-type: none"> ▪ Made in Denmark, ▪ 316L Stainless Steel, ▪ AISI 316L, EN 1.4404 ▪ Cr,Ni,Mo 17-12 - 2.1 ▪ Carbon 0.02% ▪ Component designed system – Push-Fit, ▪ Hygienic, ▪ Longitudinal TIG welded, ▪ Solution Passivated, ▪ Easily Adapted to other systems. | <p>Material Description (Drain Bowls):</p> <ul style="list-style-type: none"> ▪ Made in Denmark, ▪ 316L Stainless Steel, ▪ AISI 316, EN 1.4404 ▪ Cr,Ni,Mo 17-12 - 2.1 ▪ Carbon 0.02% ▪ Component designed system – Push-Fit, ▪ Hygienic, Self Cleaning, ▪ Hygienic Lip In-fill, ▪ Round OR Square Grate Shape ▪ Suited for Concrete, Vinyl, Tile & Epoxy, ▪ TIG welded, ▪ Solution Passivated, ▪ Easily Adapted to other systems. | <p>Material Description (Channels):</p> <ul style="list-style-type: none"> ▪ Made in Australia & Denmark, ▪ AISI 316 Stainless Steel standard, ▪ 2-Part Epoxy Hygienic Lip In-fill, ▪ Fall Incorporated in Length, ▪ Component designed system, ▪ Flanged joined when over 6m in length, ▪ TIG welded, ▪ Folded from 1.5mm thick sheet, ▪ Solution Passivated, ▪ Easily Adapted to other systems. |
| <p>Material Description (Fittings):</p> <ul style="list-style-type: none"> ▪ Made in Denmark, ▪ 316L Stainless Steel, ▪ AISI 316L, EN 1.4404 ▪ Cr,Ni,Mo 17-12 - 2.1 ▪ Carbon 0.02% ▪ Full Drainage Design, ▪ Hygienic, ▪ Solution Passivated, ▪ Easily Adapted to other systems. | <p>Material Description (Accessories):</p> <ul style="list-style-type: none"> ▪ 316L Stainless Steel. ▪ AISI 316L EN 1.4404 ▪ Cr,Ni,Mo 17-12 - 2.1 ▪ Carbon 0.02% ▪ Full Drainage Design, ▪ Solution Passivated, ▪ Easily Adapted to other systems. | <p>Material Description (Alterations):</p> <ul style="list-style-type: none"> ▪ In-House Design Team, ▪ Alterations Conducted Locally, ▪ Tundish & branch outlets easily installed, ▪ 316 Stainless Steel, ▪ Cr,Ni,Mo 17-12 - 2.1 ▪ Carbon 0.02 ▪ AISI 316, EN 1.4404 ▪ Solution Passivated, ▪ Easily Adapted to other systems. |
| <p>System Standards & Approvals:</p> <ul style="list-style-type: none"> ▪ WaterMark Approved ▪ AS 3500 ▪ AS 3959 – 2009 (ember vent) ▪ Vacuum Approved DS/EN 1124-4 DIN 86280-3: 1999-04 | <p>System Standards & Approvals:</p> <ul style="list-style-type: none"> ▪ WaterMark Approved ▪ AS 3500 ▪ WSAA Approved Grate Load Rating Compliant ▪ Vacuum Approved DS/EN 1124-4 DIN 86280-3: 1999-04 ▪ AS 3996 – Grate Load Rating Compliant | <p>System Standards & Approvals:</p> <ul style="list-style-type: none"> ▪ AS 3500 ▪ WSAA – Grate Load Rating Compliant ▪ AS 3996 – Grate Load Rating Compliant |
| <p>Ring Seals:</p> <ul style="list-style-type: none"> ▪ The ring seal material is selected based on the applications and identified by colour. ▪ All fittings are supplied with a standard EPDM ring seal fitted unless ordered otherwise. <p><i>Refer application to Blucher Australia for ring seal suitability.</i></p> <ul style="list-style-type: none"> ▪ EPDM (Dull Black) <ul style="list-style-type: none"> ▪ Ethylene propene ▪ Operating Temp: -40°C to +100°C ▪ FPM (Purple) <ul style="list-style-type: none"> ▪ Fluorine (Viton) ▪ Operating Temp: -25°C to +200°C ▪ NBR (Black with yellow dot) <ul style="list-style-type: none"> ▪ Nitrile ▪ Operating Temp: -30°C to +80°C ▪ SI or VMQ (Red) <ul style="list-style-type: none"> ▪ Silicone Rubber ▪ Operating Temp: -50°C to +120°C ▪ Used in special fire-resistant penetrations | <p>Ring Seals:</p> <ul style="list-style-type: none"> ▪ Only two accessories require ring seals. <ul style="list-style-type: none"> ▪ Water Trap ▪ Gas tight Cover ▪ Both are supplied with a standard EPDM ring seal. <p><i>Refer application to Blucher Australia for ring seal suitability.</i></p> <ul style="list-style-type: none"> ▪ EPDM (Dull Black) <ul style="list-style-type: none"> ▪ Ethylene propene ▪ Operating Temp: -40°C to +100°C | <p>Flange Gasket Seals:</p> <ul style="list-style-type: none"> ▪ The flange gasket material is Viton ▪ All channels over 6mtrs are supplied with a viton gasket. ▪ Fixing bolts and screws are also supplied. <p><i>Refer application to Blucher Australia for ring seal suitability.</i></p> <ul style="list-style-type: none"> ▪ FPM (Black) <ul style="list-style-type: none"> ▪ Fluoropolymer (Viton equivalent) ▪ Operating Temp: -30°C to +180°C |

Information provided is intended to be used as a guide only and can be updated at any time without notice.
 Please confirm Revision number with Blucher Australia.
 Z:\Technical-Drainage - Blucher\Media Charts & Tech Data Sheets\Tech Data Sheet\Blucher Tech Data Sheet (Drainage).doc



Blucher EuroPipe Drainage, Industrial Drains & Channels

Technical Data Sheet

BLUCHER Australia Pty Ltd
Technical
Version: 2011-01

Page 2 of 2

STAINLESS STEEL AISI 316L
EuroPipe Push-Fit Drainage & Fittings

Blucher EuroPipe & Fitting Sizing:

- EuroPipe is a push-fit drainage system.
- Pipe and fittings supplied with a female socket end and a tapered spigot end.
- Pipe supplied in lengths from 150 to 5000mm depending on diameter and cut to length onsite.
- Product range stocked in Australia.
- Range of fittings; 45 bends, P-Traps, Junctions, etc – refer to catalogue.
- Refer to Blucher Catalogue for details.

| Tube OD (mm) | Wall Thickness (mm) |
|--------------|---------------------|
| 50 | 1.0 |
| 75 | 1.0 |
| 110 | 1.0 |
| 160 | 1.25 |
| 200 | 1.5 |
| 250 | 1.5 |

Refer to Blucher Drainage Catalogue for more information and suitability.

Technical Support:

Blucher Australia provides:

- System / installation suitability checks for all of our products.
- Water testing and Metallurgist reports to ensure correct product selection.
- CAD / REVIT BIM drawings available on request.
- Installation design,
- Product alterations, special design.
- Standards reference assistance,
- Representation in each State and Territory.

More Information:

Contact Blucher Australia:

- Phone: (08) 8374 3426
- Email: technical@blucher.com.au
- Website: www.blucher.com.au

Contact S&T Stainless Ltd:

- Phone: 0800 426 787
- Email: blucher.stainless@steelandtube.co.nz
- Website: www.stainless.steelandtube.co.nz

STAINLESS STEEL AISI 316L
Industrial Drain Bowls & Accessories

Blucher Industrial Drains:

- One piece design for hygiene.
- Hygienic lip In-Fill standard (square and round top models).
- Product range stocked in Australia.
- Designed specifically for food processing, pharmaceutical and hygiene sensitive areas.

Drain Bowl Top Profiles:

- 3 different profiles for different floor types:

| Floor Type | Square Top | Round Top | Round Vinyl Lock Top |
|--------------------------|--------------------|--------------------|----------------------|
| Concrete, Epoxy or Tiled | 200x200 or 300x300 | 200 dia or 300 dia | N/A |
| Timber Floors | N/A | N/A | 200 dia or 300 dia |
| Vinyl Sheet | N/A | N/A | 200 dia or 300 dia |

Inlets

- Custom designed to suit project.

Outlets:

- Horizontal or vertical.
- 110 or 160mm OD.

Floor Grates:

- Stainless Steel construction.
- Designed for different traffic loads, flow rates and applications.
- Cast grate specifically designed for high traffic load and hygiene requirements.
- Interchangeable and replaceable.

Profiles

- Non-Slip, Slot, Mesh, Cast, Ladder, Wedge, Gas Tight or custom available on request.

Optional Accessories:

- Accessories fit within the drain bowl.
- Removable for easy cleaning.

| Accessory | Details |
|--------------------------|-----------------------|
| Filter Basket | Perforations 3 – 5mm. |
| Removable Water Trap | Approved design. |
| Silt Buckets | Custom Designed |
| Fixed Secondary Strainer | Perforations 3 – 5mm. |

Refer to Blucher Drainage Catalogue for more information and suitability.

STAINLESS STEEL AISI 316L
Channels

Blucher Channels:

- Designed to suit application.
- Hygienic lip In-Fill standard.
- Channels designed to incorporate the Industrial Drain accessories.
- For transporting, long channels are supplied in maximum 6 metre long sections.

***Type 670 – for Concrete, Tile or Epoxy Floors**

- 'V' bottom with fall to outlet(s).
- 1 - 3m lengths stocked other lengths available on request.
- 150 – 500mm wide grate.
- Suitable for *food processing, pharmaceutical, supermarkets & commercial kitchens*

***Type 672 – for Vinyl Floors**

- 'V' bottom with fall to outlet(s).
- Manufactured on request.
- 150 – 200mm wide grate.
- Suitable for *hospitals, schools & commercial kitchens*

***Type 673 –Slot Channel**

- Designed for concrete, tiled or epoxy floors.
- 'V' bottom with fall to outlet(s).
- Manufactured on request.
- Suitable for *food processing (not abattoirs), pharmaceutical, supermarkets, low solids wash areas & commercial kitchens*

***Type 674 – Hygiene (Half Round) Channel**

- Designed for concrete, tiled, epoxy or vinyl floors.
- Half round bottom with fall to outlet(s).
- Manufactured on request.
- Suitable for *food processing, pharmaceutical, supermarkets, general use & abattoirs.*

***Shower & Residential Channel**

- Designed for concrete, tiled, epoxy or vinyl floors.
- Flat bottom with fall to outlet(s).
- Manufactured on request from 304 stainless.
- Suitable for *schools, aged care, balconies, accommodation & sporting facilities wet areas.*

Outlets:

- Horizontal, vertical, & multiple.
- 50 -160mm standard or custom built.
- 200mm or 300mm Industrial Drain bowls, incorporating water trap, filter baskets & other accessories.

Floor Grates:

- Stainless Steel construction.
- Designed for different traffic loads, flow rates and applications.
- Cast grate specifically designed for high traffic load and hygiene requirements.
- Interchangeable and replaceable.

Profiles

- Shower, Non-Slip, Slot, Mesh, Cast, Ladder, Wedge or custom available on request.

Refer to Blucher Drainage Catalogue for more information and suitability.

- Where is it going to be used?
- What channel type is required? (Floor finish)
- What length is required?
- What width is required? (based on outlet and grate sizes)
- What outlet is required?
- What grate is required? (load rating)
- Does it require a filter basket or water trap accessories to be fitted?
- When is the channel due to be installed?

Information provided is intended to be used as a guide only and can be updated at any time without notice.
Please confirm Revision number with Blucher Australia.
Z:\Technical\–Drainage - Blucher\Media Charts & Tech Data Sheets\Tech Data Sheet\Blucher Tech Data Sheet (Drainage).doc