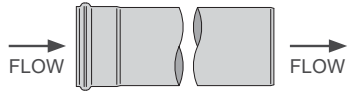


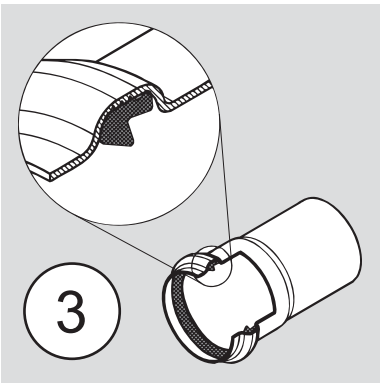
Installing Blucher EuroPipe

Start to install quicker...
Blucher EuroPipe is a socket & spigot system that joins together by pushing the fittings together easily & quickly.

Follow the flow rule...
EuroPipe is directional; the water flow must travel socket to spigot.

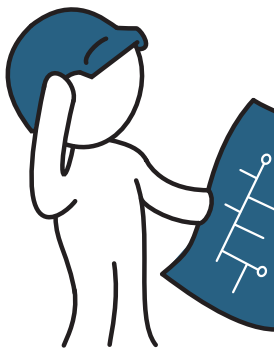


This is only a guide is for standard applications.
For different or specialised applications please contact us first.



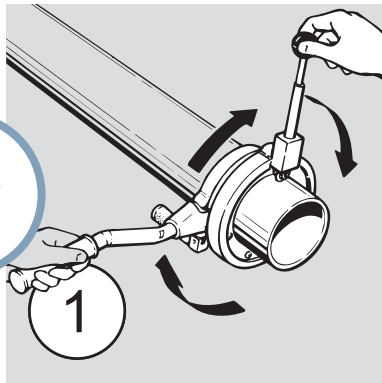
Inspect the Ring Seal
Check that the rubber ring seal is:

- The correct material (colour).
- Mitred edge faces outwards.
- The seal is not damaged.
- Fitting & seal are free of debris.

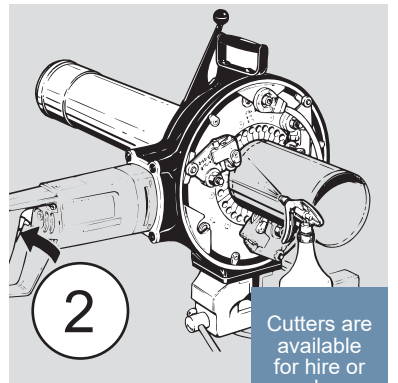


Check for suitability...
Both the drainage material (eg 316L stainless steel) and the elastomer (eg rubber ring seal) must be checked if suitable for the possible fluids and exterior environments - ask us!

Start here

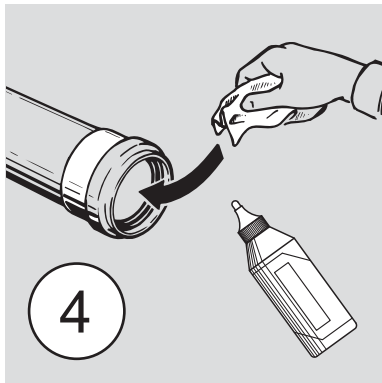


Ordering & Design
EuroPipe is available in different lengths so choose the length closest to what is needed to reduce offcut waste.
A socket is required for each join.

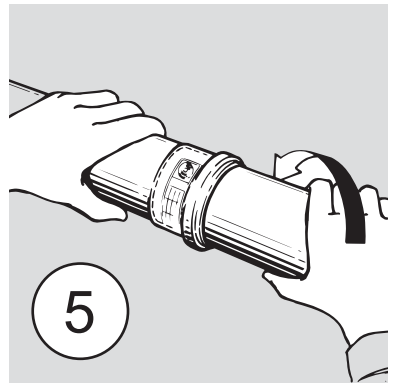


Cut to Length
Using a EuroPipe cutter, the length is cut and a bevel formed on the spigot. The bevel protects the ring seal and allows easier joining.
Fittings must not be cut.

Cutters are available for hire or purchase.



Lubricate the Join
Apply a small amount of Blucher Joining Lubricant to the ring seal inside the socket.
Do not use oil or grease as a lubricant.



Push, Twist & Pull
Using a slight twisting movement, push the spigot into the socket.
Retract 5-10mm to allow for expansion & contact that occurs within each socket.

Refer to the technical section for installation recommendations & more information.

■ **Installation Lubricant**

Product No	Description
007.200.040	Joining Lubricant - Silicon based, 400mL. <i>Apply a small amount to both ring seal and spigot before pushing together.</i>

