



Commonly used for very high chloride environments commonly found with seawater, bore water & offshore applications.



profile



15 to 108mm



Press a 28mm fitting onto the CuNi tube in under 6 seconds. Join done.

Faster to Install

AusPress press-fit offers large time savings compared to welding, threading, grooving or glueing.

Safer to Use

- We train your team onsite.
- One button tool operation.
- Lightweight battery tools.
- No flames or hot work permits.
- No heavy gas tanks.
- No hazardous fumes.
- Less risk.

Experience Counts

- We were the first to supply press-fit stainless in Australia & New Zealand.
- We work with consultants & installers on specialised complex projects regularly.

Quality to Install

- Approved to International & Shipbuilding Standards.
- Superior temperature & chloride tolerance.

Reliable Design

- Suits a wide range of applications.
- Permanent high strength with the original 'M' press join profile.
- Consistent low profile join look & quality each time.

Environmental Choice

- Long service life.
- Closed loop material (completely recycled to make more stainless).
- Efficient and waste free install.

Installing Press-Fit

We offer hire, purchasing and servicing for our Press Tools.

Start to install quicker...

AusPress Press-Fit is installed easily & quickly using a Press Tool to form a permanent 'M' profile pressed joint between tube and fitting.

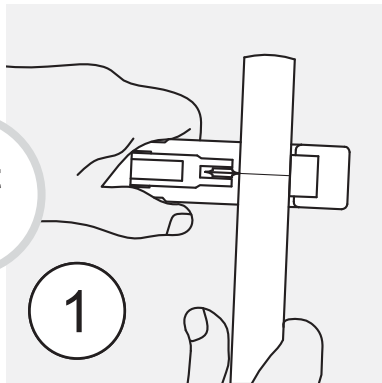


Start here

Check for suitability...

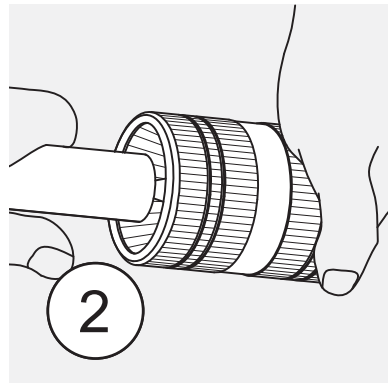
Both the piping material (eg copper nickel) and the elastomer (eg rubber ring seal) must be checked if suitable for the possible fluids and exterior environments.

If in doubt, ask us!

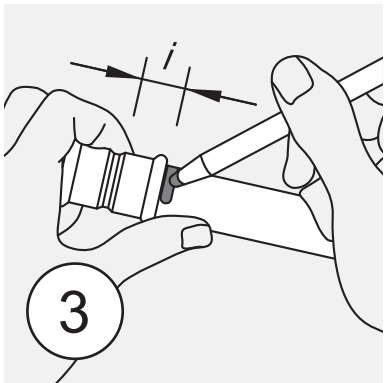


Cut to Length
Cut the tube at right angles using a tube cutter or fine tooth saw.

Note: Using the same cutting tool on different metals can lead to corrosion (eg steel then stainless).

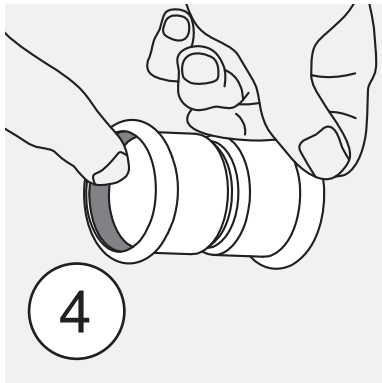


Deburr Tube
Deburr both inside & outside edges of tube to prevent damage to the ring seal of the fitting.



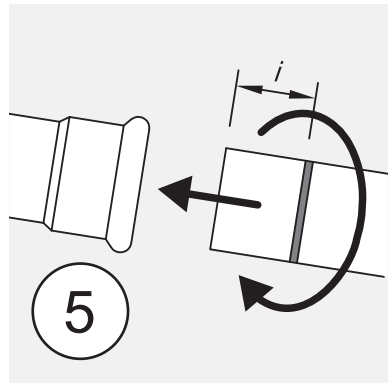
Mark the Insertion Depth "I"
Measure or use a depth gauge to mark the insertion depth (socket depth) onto the tube end.

This is a visual quality control mark to ensure the tube is fully inserted.



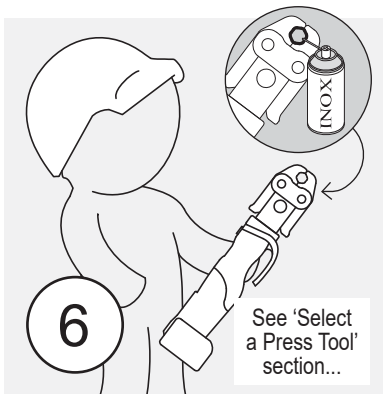
Inspect Fitting & Ring Seals
Check that the rubber ring seal is:

- The correct material type (colour) of seal is used.
- The seal is not damaged.
- Both fitting & seal are free of debris.

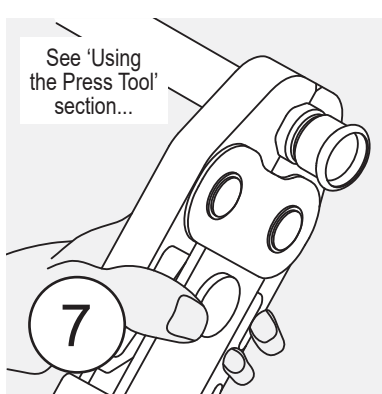


Join the Tube & Fitting
Insert the tube into the fitting press socket, turning slightly until it reaches the previously marked insertion depth.

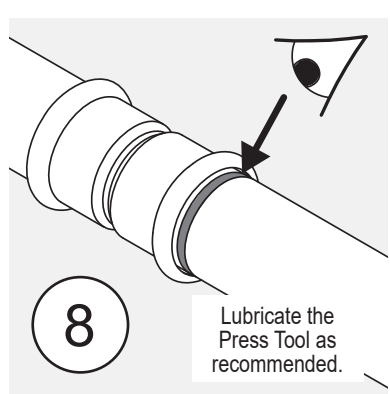
Soapy water can be used if joining is difficult.



Press Tool Selection
Select the correct press tool, jaw or collar to suit the fitting, dimension and application pressures. Ensure press zone is lubricated each press with Inox spray.



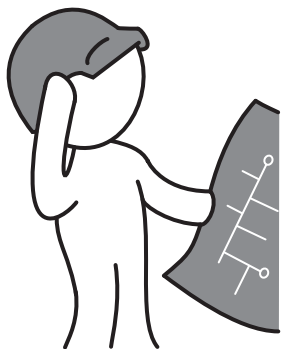
Press the Join
Open the press tool jaw, align with the press socket and start the Press Tool to join the fitting & tube.



Check & Complete
Visually inspect the pressed fitting & that the insertion mark is aligned with the end of the socket.

Select a Press Tool

Read with 'Using the Press Tools' section.



The right tool for the job...

Our fleet of tools are designed to install Blucher Press-Fit quickly & consistently without the need for welding or threading to form a permanent joint.

Our trained Sales Executives can meet onsite for Press Tool training to meet your OH&S requirements and we maintain records of attendees.

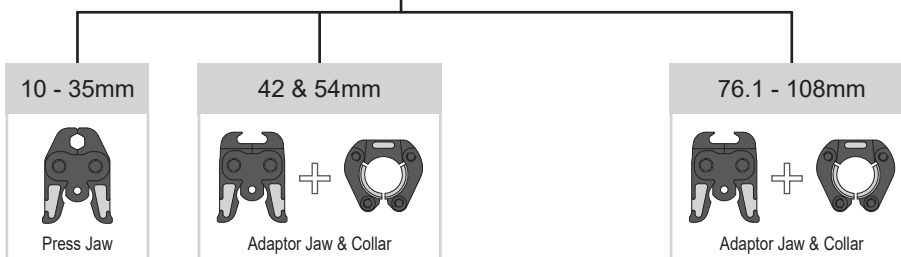
Start here

Metric Press-Fit

Press fittings onto AusPress Metric CuNiFe tube from us.



Press-Fit Diameters:



Max Press-Fit Working Pressure*:
Note: Pressures subject to relevant insuring shipping approval authorities (eg Lloyds).

16 bar

16 bar

Power Supply:

Battery

Battery

Battery

Battery

Battery

Battery

Battery

Press Tool Options:

AFP202

ACO203

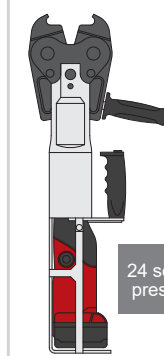
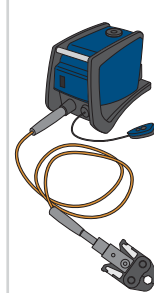
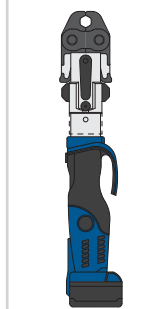
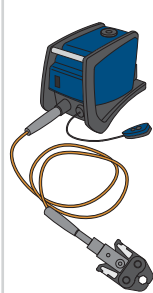
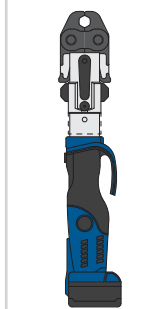
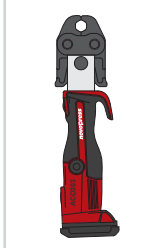
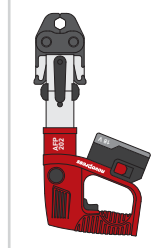
ACO202-XL

CPN700

ACO202-XL

CPN700

ACO401



The 'M' Profile Press...

Our Press-Tools are calibrated to suit our products and although they may look similar to others, the tolerances of the systems are different.

Our tooling recognises the difference and does not complete a full press. Any warranty or similar is void as a result.

Please Note:

This chart is a guide and full specifications and instructions are available on request.

* This value is the Maximum Working Pressure, not the safety or testing pressure of the system. Maximum also depends on the application - check with us first.

Joint Log Book:
For project QA



Now available

Need to convert units?

1 bar ≈ 100 kPa
1 bar ≈ 14.5 psi

16 bar ≈ 1,600 kPa
16 bar ≈ 232 psi

25 bar ≈ 2,500 kPa
25 bar ≈ 362 psi

Installation Tools

These items make installing AusPress press-fit easier.

Remember using the same cutting or deburring tool on different metals can lead to corrosion (eg cut steel then cut stainless steel).

Press Tools:
Information and capacities are listed under "Select a Press Tool" Section.

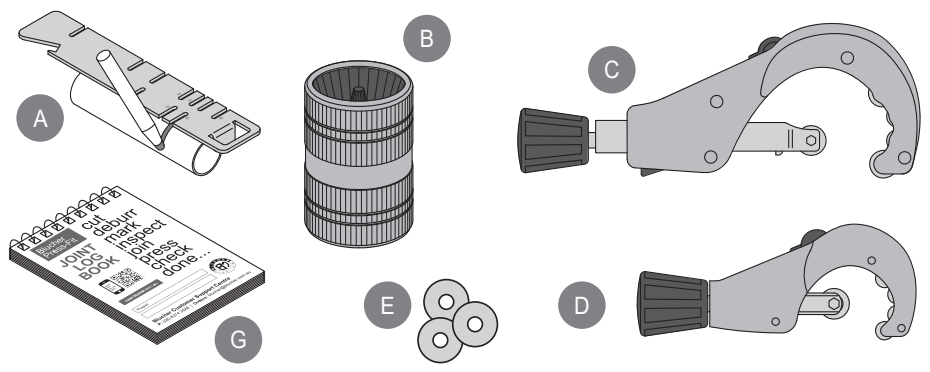
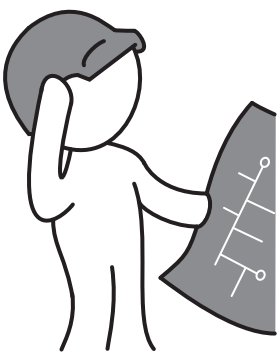


Image	Suits...	Product No
A	Depth Gauge 'Type B'	10 - 168.3mm
B	Manual Deburrer	10 - 54mm
C	Manual Tube Cutter	6 - 76.1mm
D	Manual Tube Cutter	3 - 45mm
E	Replacement Cutting Wheel for 'C & D' (each)	VT.TCUT.WHEEL
G	Blucher Press-Fit Joint Log Book	BA.BM007-06



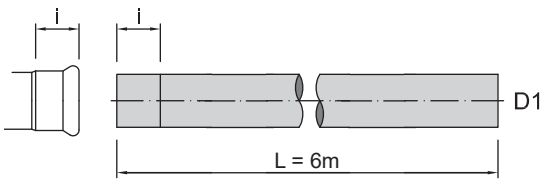
Why Choose Copper Nickel?

The choice of stainless grade is dependant on many factors and must be investigated with water sample analysis or technical advice to confirm suitability with your application.

Please ask us if you require more information or technical advice for your project.

For technical information for specialised projects please ask us. We've over 20 years experience, have access to testing metallurgist services too.

Tube - Metric OD



i = insertion depth. Tube must be inserted into the press socket a minimum distance to ensure the joint is pressed successfully.

Product No	D1 (mm)	DN	i depth	t Wall	Weight/lm (dry-wet)
56319	15	12	20	1.0	0.4 - 0.5 kg
56321	22	20	21	1.0	0.6 - 0.9 kg
56322	28	25	23	1.5	1.1 - 1.6 kg
56323	35	32	26	1.5	1.4 - 2.2 kg
56324	42	40	30	1.5	1.7 - 2.9 kg
56325	54	50	35	1.5	2.2 - 4.3 kg
56327*	76.1	80	53	2.0	4.2 - 8.2 kg
56328*	88.9	90	60	2.0	4.9 - 10.5 kg
56329*	108	100	75	2.5	7.4 - 15.7 kg

* This product available on request.

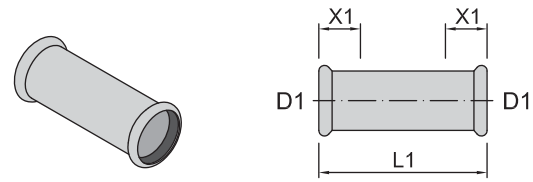
Coupling Socket - Socket



Material: CuNiFe (2.1972.11). Ring Seal: CIIR x2 supplied.

Product No	D1	L1	X1
67002	15	48	8
67004	22	50	8
67005	28	54	8
67006	35	62	10
67007	42	71	11
67008	54	83	13
67009*	76.1	141	35
67010*	88.9	162	42
67011*	108	194	44

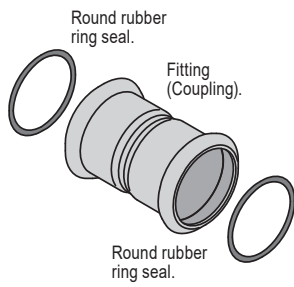
Slip Coupling Socket - Socket



Material: CuNiFe (2.1972.11). Ring Seal: CIIR x2 supplied.

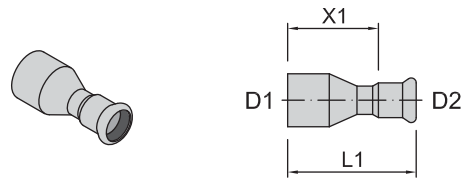
Product No	D1	L1	X1
67102	15	80	25
67104	22	84	25
67105	28	91	30
67106	35	102	30
67107	42	120	40
67108	54	140	40
67109*	76.1	230	60
67110*	88.9	260	70
67111*	108	310	80

Refer to our Technical Data Sheets for material suitability and resistance.



Rubber Ring Seals
Depending on the application, the ring seals may need to be changed to a different type for higher chemical or temperature resistance.
More info in the ring seal product listing.

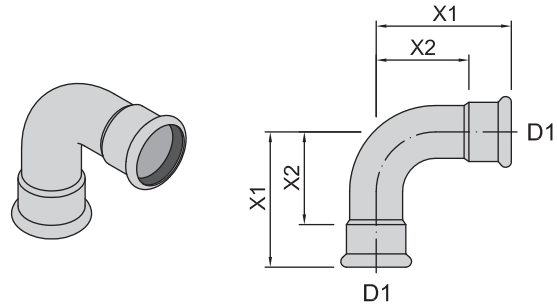
■ **Spigot Reducer Socket - Tube End**



Material: CuNiFe (2.1972.11). Ring Seal: CIIR x1 supplied.

Product No	D1	D2	L1	X1
67305	22	15	59	39
67307	28	15	66	46
67309	28	22	60	39
67312	35	22	71	50
67313	35	28	68	45
67317	42	28	83	60
67318	42	35	73	47
67323	54	35	106	80
67324	54	42	89	59
67337*	76.1	42	164	134
67325*	76.1	54	146	111
67338*	88.9	54	163	128
67327*	88.9	76.1	160	107
67346*	108	76.1	184	131
67330*	108	88.9	204	144

■ **90 Bend Socket - Socket**

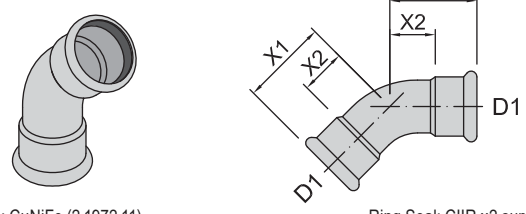


Material: CuNiFe (2.1972.11). Ring Seal: CIIR x2 supplied.

Product No	D1	X1	X2
68102	15	38	18
68104	22	47	26
68105	28	57	34
68106	35	68	42
68107	42	80	50
68108	54	100	65
68109*	76.1	153	100
68110*	88.9	179	119
68111*	108	222	147

* This product available on request.

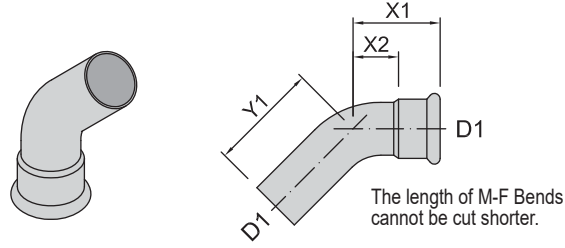
■ **45 Bend Socket - Socket**



Material: CuNiFe (2.1972.11). Ring Seal: CIIR x2 supplied.

Product No	D1	X1	X2
67602	15	28	8
67604	22	32	11
67605	28	37	14
67606	35	43	17
67607	42	51	21
67608	54	62	27
67609*	76.1	97	44
67610*	88.9	112	52
67611*	108	139	64

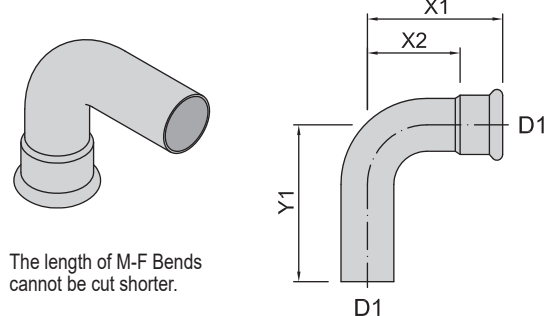
■ **45 Bend Socket - Tube End**



Material: CuNiFe (2.1972.11). Ring Seal: CIIR x1 supplied.

Product No	D1	X1	X2	Y1
67702	15	28	8	37
67704	22	32	11	44
67705	28	37	14	50
67706	35	43	17	52
67707	42	51	21	61
67708	54	62	27	73
67709*	76.1	97	44	111
67710*	88.9	112	52	130
67711*	108	139	64	157

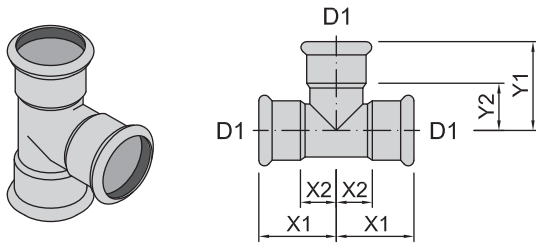
■ **90 Bend Socket - Tube End**



Material: CuNiFe (2.1972.11). Ring Seal: CIIR x1 supplied.

Product No	D1	X1	X2	Y1
68302	15	38	18	51
68304	22	47	26	60
68305	28	57	34	66
68306	35	68	42	77
68307	42	80	50	90
68308	54	100	65	111
68309*	76.1	153	100	166
68310*	88.9	179	119	194
68311*	108	222	147	240

■ Tee Equal Socket Ends & Branch

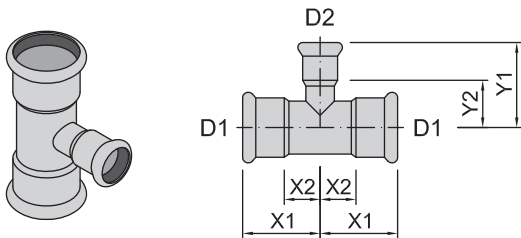


Material: CuNiFe (2.1972.11).

Ring Seal: CIIR x3 supplied.

Product No	D1	X1	X2	Y1	Y2
68002	15	32	12	40	20
68004	22	37	16	45	24
68005	28	42	19	51	28
68006	35	50	24	59	33
68007	42	57	27	66	36
68008	54	69	34	72	37
68009*	76.1	115	62	110	57
68010*	88.9	130	70	128	68
68011*	108	155	80	153	78

■ Tee Reduced Socket Ends & Branch

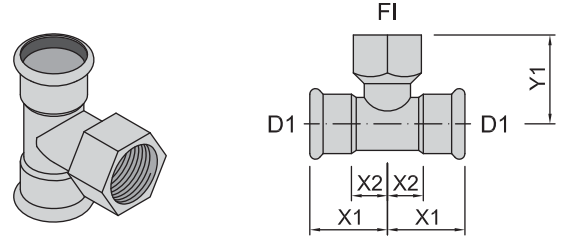


Material: CuNiFe (2.1972.11).

Ring Seal: CIIR x3 supplied.

Product No	D1	D2	X1	X2	Y1	Y2
67206	22	15	37	16	44	24
67209	28	15	42	19	47	27
67211	28	22	42	19	48	27
67212	35	15	50	24	49	29
67214	35	22	50	24	52	21
67215	35	28	50	24	55	32
67218	42	22	57	27	54	33
67219	42	28	57	27	58	35
67220	42	35	57	27	62	36
67227	54	22	69	34	61	40
67228	54	28	69	34	64	41
67225	54	35	69	34	68	42
67226	54	42	69	34	72	42
67229*	76.1	22	115	62	77	56
67230*	76.1	28	115	62	79	56
67231*	76.1	35	115	62	81	55
67252*	76.1	42	115	62	81	51
67253*	76.1	54	115	62	87	52
67233*	88.9	22	130	70	85	64
67250*	88.9	28	130	70	87	64
67251*	88.9	35	130	70	90	64
67239*	88.9	42	130	70	92	62
67260*	88.9	54	130	70	93	58
67261*	88.9	76.1	130	70	114	61
67244*	108	22	155	80	103	82
67245*	108	28	155	80	105	82
67246*	108	35	155	80	108	82
67247*	108	42	155	80	110	80
67248*	108	54	155	80	113	78
67269*	108	76.1	155	80	124	71
67270*	108	88.9	155	80	135	75

■ FI Tee Socket Ends & FI Branch

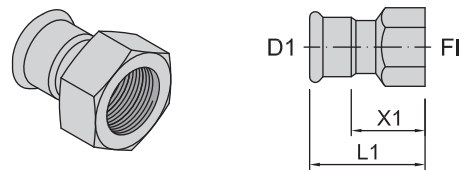


Material: CuNiFe (2.1972.11).

Ring Seal: CIIR x2 supplied.

Product No	D1	FI BSP	X1	X2	Y1
67344	15	1/2"	32	8	37
67347	22	1/2"	37	16	41
67348	22	3/4"	37	16	46
67349	28	1/2"	42	19	44
67350	28	3/4"	42	19	46
67352	35	1/2"	50	24	48
67353	35	3/4"	50	24	53
67356	42	1/2"	57	27	51
67357	42	3/4"	57	27	56
67360	54	1/2"	69	34	57
67361	54	3/4"	69	34	62
67365*	76.1	1/2"	115	62	73
67366*	76.1	3/4"	115	62	79
67368*	88.9	1/2"	130	70	81
67369*	88.9	3/4"	130	70	88
67372*	108	1/2"	155	80	99
67373*	108	3/4"	155	80	105

■ FI Adaptor Socket - FI Thread



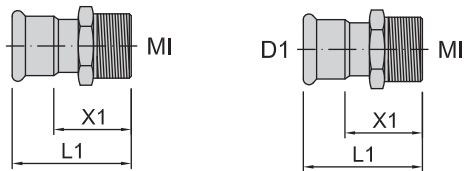
Material: CuNiFe (2.1972.11).

Ring Seal: CIIR x1 supplied.

Product No	D1	FI BSP	L1	X1
67802	15	1/2"	55	35
67805	22	1/2"	56	35
67806	22	3/4"	58	37
67809	28	1"	64	41
67811	35	1 1/4"	70	44
67814	42	1 1/2"	74	44
67818	54	2"	89	54

* This product available on request.

MI Adaptor Socket - MI Thread



Material: CuNiFe (2.1972.11).

Ring Seal: CIIR x1 supplied.

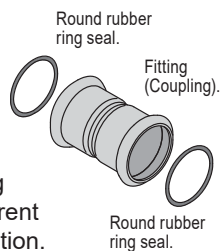
Product No	D1	MI	L1	X1	Thread
68703	15	1/2"	53	33	BSP
68715	22	1/2"	54	33	BSP
68707	22	3/4"	58	37	BSP
68708	28	1"	64	41	BSP
68709	35	1 1/4"	72	46	BSP
68710	42	1 1/2"	77	47	BSP
68711	54	2"	89	54	BSP

68833	15	1/2"	61	41	NPT
68835	22	1/2"	62	41	NPT
68837	22	3/4"	63	42	NPT
68838	28	1"	72	49	NPT
68839	35	1 1/4"	78	52	NPT
68840	42	1 1/2"	83	53	NPT
68841	54	2"	90	55	NPT

Ring Seals

Fittings with a press-fit socket are fitted with a EPDM rubber ring seal as standard.

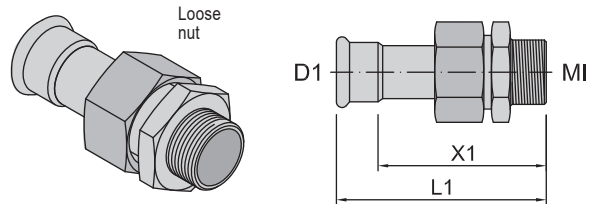
Depending on the media, this ring seal should be changed to a different rubber material to suit the application.



Refer to our relevant Technical Media Chart for suitability or contact us for more information.

Type:	Pre-fitted in fitting socket*	Optional extra	Optional extra
	CIIR Standard	FKM (Viton) High Temp	NBR Oil & Gas
	Black -20°C to +110°C	Red or Green -20°C to +200°C	Yellow or Grey -20°C to +70°C
D1	Product No	Product No	Product No
15	90402	90422	90452
22	90404	90424	90454
28	90405	90425	90455
35	90406	90426	90456
42	90407	90427	90457
54	90408	90428	90458
76.1*	90409	90429	90471
88.9*	90410	90430	90472
108*	90411	90431	90473

MI Union Socket - MI BSP



Material: CuNiFe (2.1972.11).

Ring Seal: CIIR x1 supplied.
Gasket Seal: EPDM x1 supplied.

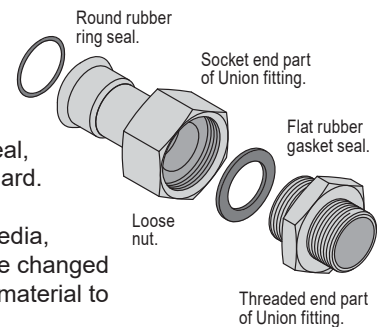
Product No	D1	MI BSP	L1	X1	Gasket Size
67232	15	1/2"	81	61	A1
67234	22	1/2"	84	63	B1
67243	22	3/4"	85	64	B1
67235	28	1"	96	73	C1
67236	35	1 1/4"	104	78	D1
67237	42	1 1/2"	109	79	E1
67238	54	2"	124	89	F1

Note: MI Union is not suitable for gas or steam applications.

Union Gaskets

Union fittings are fitted with a (flat) rubber gasket seal and a (round) ring seal, both EPDM as standard.

Depending on the media, both seals should be changed to a different rubber material to suit the application.



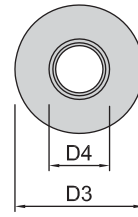
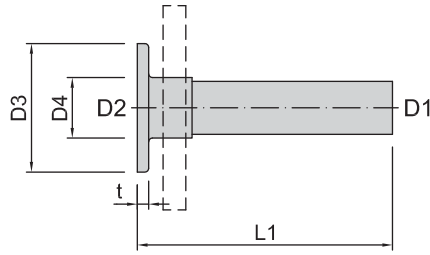
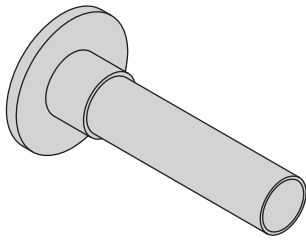
Type:	Pre-fitted in fitting	Optional extra			
	EPDM Standard	FKM (Viton) High Temp			
	Black -20°C to +110°C	Red or Green -20°C to +200°C			
Size	X1	X2	t	Product No	Product No
A1	24	13	2	90081	90092
B1	30	19.6	2	90082	90094
C1	39	26	2	90083	90095
D1	44.5	32	2	90084	90096
E1	50.5	39	2	90085	90097
F1	66	51	3	90086	90098

Unions are not approved to be used for gas or steam applications.

Refer to our Technical Data Sheets for ring seal suitability and resistance.

* This product available on request.

■ Flanged Stub End for a Loose Flange



Material: CuNiFe (2.1972.11).

Product No	D1	FL	D2	D3	D4	L1	t
68791	22	PN 10/16	19	58	27	135	6
68793	28	PN 10/16	25	68	32	135	6
68794	35	PN 10/16	32	78	40	135	6
68795	42	PN 10/16	39	88	47	135	6
68796	54	PN 10/16	51	102	59	135	8
68797*	76.1	PN 10/16	72.1	122	78	135	8
68798*	88.9	PN 10/16	84.9	138	91	135	10
68799*	108	PN 10/16	104	158	110	135	10

Note: Loose flange, gasket & bolts not included.

* This product available on request.